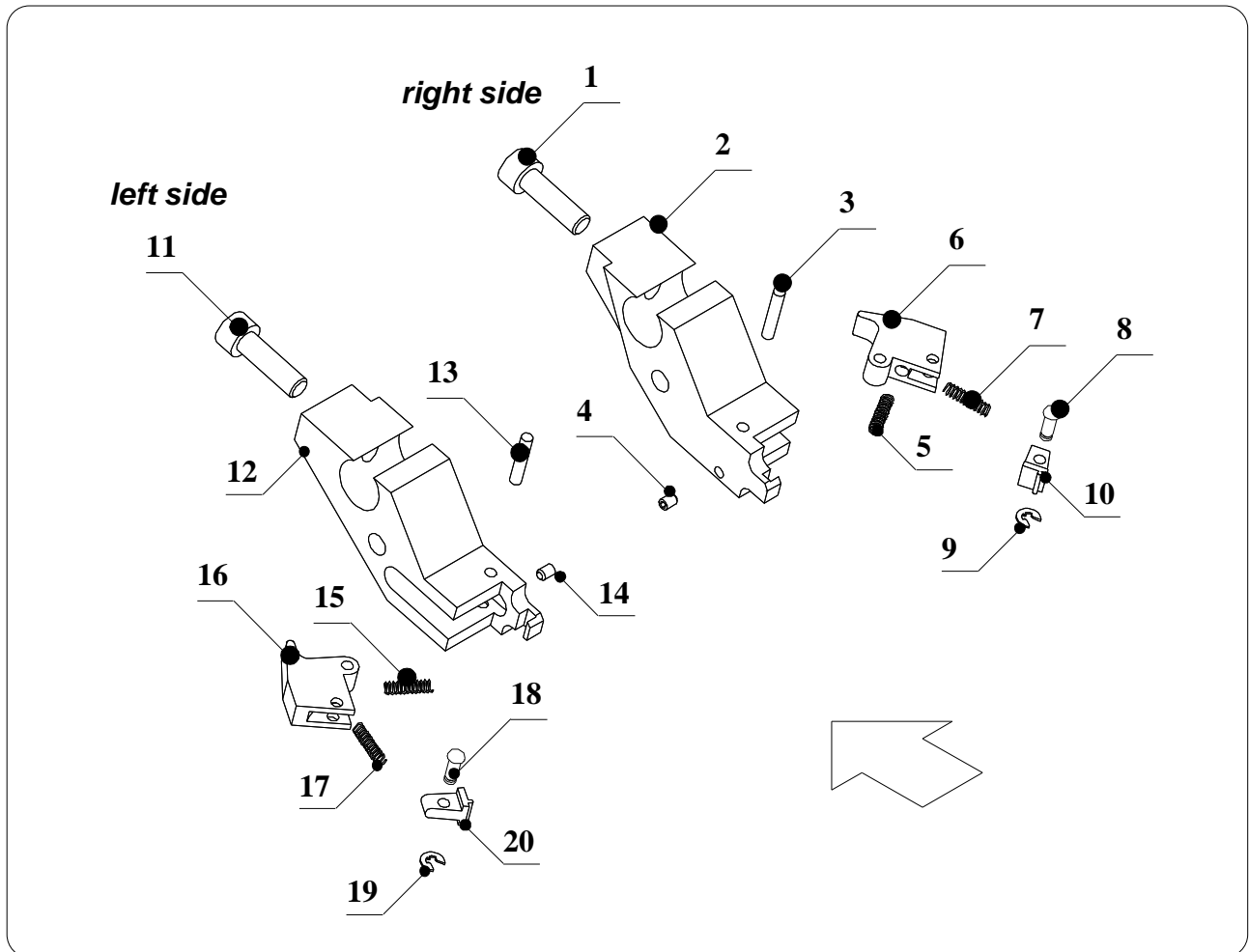


11.4 DETAILED DRAWING OF PREFORMING DIE



11.3.1 READING KEY FOR DETAILED DRAWING OF PREFORMING DIES

Cod. 430700 DIE ASSEMBLY STAND OFF 3,5 mm FOR LEAD 1-1,3 mm DIAMETER FOR TP6/PR-F 43.OL03

1	430114	LOCKING SCREW FOR PREF.DIE M6X19,5	1
2	430702	RIGHT PREFORM.DIE STAND OFF 3,5mm X LEAD DIAM.1-1,3mm	1
3	850417	PARALLEL PIN D.3X16	1
4	850415	SCREW PP M3X4	1
5	850413	SPRING D.3X13 FOR PREF.INSERT	1
6	420055	OUTER DIE HOLDER TP6/PR-F	1
7	850413	SPRING D.3X13 FOR PREF.INSERT	1
8	430077	PIN FOR INSERT	1
9	850419	CLIP RS 1,9 DIN 6799	1
10	430703	INSERT FOR STAND OFF DIE 3,5mm FOR LEAD =1-1,3mm	1
11	430114	LOCKING SCREW FOR PREF.DIE M6X19,5	1
12	430701	LEFT PREFORM.DIE STAND OFF 3mm FOR LEAD 1-1,3mm FOR 43.OL03	1
13	850417	PARALLEL PIN D.3X16	1
14	850415	SCREW PP M3X4	1
15	850413	SPRING D.3X13 FOR PREF.INSERT	1
16	420055	OUTER DIE HOLDER TP6/PR-F	1
17	850413	SPRING D.3X13 FOR PREF.INSERT	1
18	430077	PIN FOR INSERT	1
19	850419	CLIP RS 1,9 DIN 6799	1
20	430703	INSERT FOR STAND OFF DIE 3,5mm FOR LEAD =1-1,3mm	1

Cod. 430900 DIE ASSEMBLY REDUCED PITCH TP6/PR-F LEADS DIAMETER 1-1.3

1	430114	LOCKING SCREW FOR PREF.DIE M6X19,5	1
2	430901	RIGHT DIE TO REDUCE PITCH FOR LEAD Ø 1-1	1
3	850417	PARALLEL PIN D.3X16	1
4	850415	SCREW PP M3X4	1
5	850413	SPRING D.3X13 FOR PREF.INSERT	1
6	420055	OUTER DIE HOLDER TP6/PR-F	1
7	850413	SPRING D.3X13 FOR PREF.INSERT	1
8	430077	PIN FOR INSERT	1
9	850419	CLIP RS 1,9 DIN 6799	1
10	430903	INSERT FOR DIE 430900 REDUCE PITCH LEAD Ø 1-1,3mm	1
11	430114	LOCKING SCREW FOR PREF.DIE M6X19,5	1
12	430902	LEFT DIE TO REDUCE PITCH FOR LEAD Ø 1-1,3mm	1
13	850417	PARALLEL PIN D.3X16	1
14	850415	SCREW PP M3X4	1
15	850413	SPRING D.3X13 FOR PREF.INSERT	1
16	420055	OUTER DIE HOLDER TP6/PR-F	1
17	850413	SPRING D.3X13 FOR PREF.INSERT	1
18	430077	PIN FOR INSERT	1
19	850419	CLIP RS 1,9 DIN 6799	1
20	430903	INSERT FOR DIE 430900 REDUCE PITCH LEAD Ø 1-1,3mm	1