

11.2.1 READING KEY FOR DETAILED DRAWING OF TP/TO-CF PREFORMING MACHINE FOR TRANSISTORS IN TUBE (TO126-TO220-TO218) 220V (code 12.OL02) front side

Pos.	Code	Description	Q.ty
1	120088	FRONT PLATE TO-CF	1
1a	740151	SELF THREADING BUSHING M5 M8X1X7	2
1b	120112	SELF THREADING- M BUSHING TYPE 970 M8-M12 h20	1
2	350303	AIR REGUALTOR EAS2200F0206 1/4	4
3	150514	PLASTIC CONNECTOR KQH-06-02S 1/4	4
4	120126	90° CONNECTION M5 HOSE Ø4 SMC KQ2L04-M5	2
5	900013	AIR BLOW ADJUSTER EAS1200F-M5	2
6	120083	ALIGNER SUPPORT TO-CF	1
6a	120084	COMPONENT ALIGNER TO-CF	1
6b	120163	PARALLEL PIN D.3 x 25	1
6c	120164	SCREW PCO M3X6	1
6d	120165	TRACTION SPRING 10X5 WIRE Ø0,5	1
6e	420071	BH SCREW M3X8 UNBRAKO	1
6f	950704	BURNISHED IRON NUT M3	1
7	750107INOX	SCREW TCEI M4X12 STEEL	2
8	120173	PREFROMING REFERENCE INDEX	1
9	400117	SCREW TCEI M4X10	1
10	750115	MICRO SCWITCH AH-71823	1
10a	120177	SCREW TBEI M3x15	2
11	120139	BLOW OFFTAKE COUPLING	1
12	750107INOX	SCREW TCEI M4X12 STEEL	1
13	600030	NUT M6	1
14	120159	PLATE FOR STROKE ADJUSTMENT BUSHING	1
15	120160	STROKE ADJUSTMENT BUSHING TO-CF	1
16	120157	FRONT PLATE CYLINDER STROKE ADJUSTMENT TO/CF	1
17	120135	PP SCREW M8X10	1
18	740138	SCREW TSEI M4X20 UNBRAKO	3
19	VITS0650	SCREW TSEI M6X50	1
20	120089	LEFT FORMING SUPPORT TO-CF	1
20a	740159	SELF THREADING BUSHING M TYPE 970 M5/M7	2
20b	120166	COLLARED BUSH DIN 172 D=4 D1=7 D2=10 L=8 L1=5,5	2
20c	750311	PARALLEL PIN Ø 6X14	2
21	120090	RIGHT FORMING SUPPORT TO-CF	1
21a	740159	ELF THREADING BUSHING M TYPE 970 M5/M7	2
21b	120166	COLLARED BUSH DIN 172 D=4 D1=7 D2=10 L=8 L1=5,5	2
21c	750311	PARALLEL PIN Ø 6X14	2

22	750314	CAP SCREW TCEI M5X16	6
23	120091	PARALLEL PIN 80x20x8 TO-CF	2
23a	740162	PARALLEL PIN Ø 6X20	4
24	120145	DIE HOLDER ADJUSTMENT SCREW	2
25	900028	STROKE ADJUSTMENT LEVER	2
26	900035	LEVER HOLDING PIN	2
27	900034	LEVER SPACER	2
28	GRPP1010	SCREW PP M10X10	4
29	120093	STROKE 15 CYLINDER ECQ2 Ø50 FOR TO-CF COD:ECQ2B50-15D	2
29a	900007	45 DEGR.CONNECTION KQK06-02S 1/4 FOR CYLINDER	4
30	VITC0650	SCREW TCEI M6X50	8
31	900009	SMS JOINT	2
32	900029	PARALLEL PIN D. 6X28	2
33	900010	FRONT PLATE	1
33a	850416	SPRING D.4.5X30	1
34	120127	RIGHT FRONT COVER TO-CF	1
34a	850416	SPRING D.4.5X30	1
35	900032	LOCKING PIN	2
36	400213	CP SET SCREW M6X16	2
37	120174	ADJUSTMENT KNOB GN726.1-22-B5-S-1	2
37a	120175	ADJUSTMENT KNOB SCREW	2
38	750314	CAP SCREW TCEI M5X16	4
39	120172	PLATE 0-25mm	2
40	750503INOX	SCREW TBEI M3X6 STEEL	4
41	VITC0570	SCREW TCEI M5X70	4
42	VITC0550	SCREW TCEI M5X50	4
43	120092	LOCKING BRACKET / SUPPORT FOR ADJUSTABLE DIE TO-CF	4
44	750302INOX	SCREW TBEI M5X12 STEEL	4
44a	740137INOX	WASHER Ø 5 /OUT 15 BLACK STEEL	4



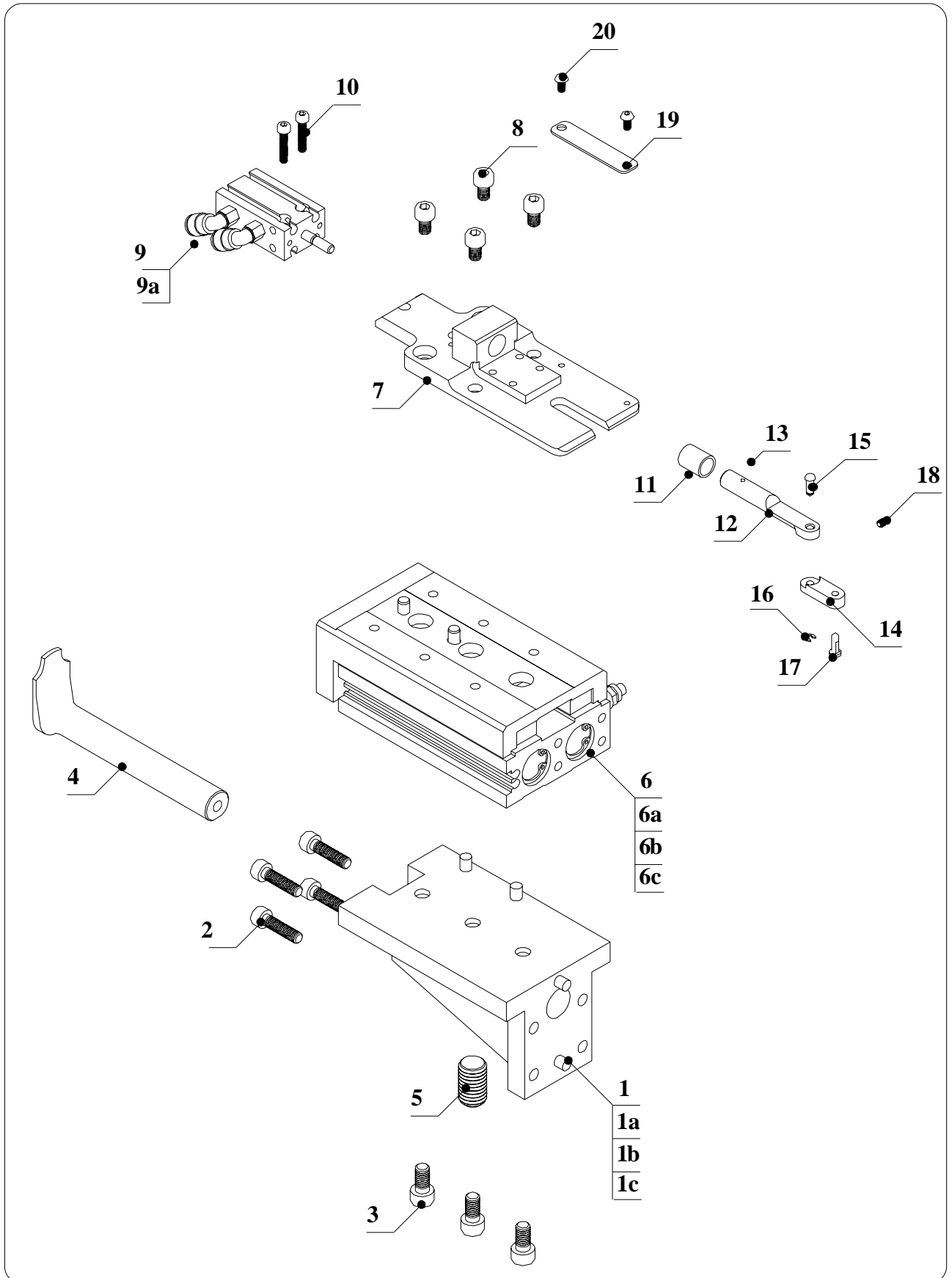
11.3.1 READING KEY FOR DETAILED DRAWING OF TP/TO-CF PREFORMING MACHINE FOR TRANSISTORS IN TUBE (TO126-TO220-TO218) 220V (code 12.OL02) backside

Pos.	Code	Description	Q.ty
1	120087	LOWER PLATE TO-CF	1
1a	740162	PARALLEL PIN Ø 6X20	2
2	150106	RUBBER FOOT D.18	4
2a	400114	BH SCREW M4X8	4
3	950753	CAPSCREW M8X20	4
4	120095	LEFT SIDE PLATE TO-CF	1
5	400117INOX	SCREW TCEI M4X10 INOX	6
6	120050	ALUMINIUM HANDLE OVAL SECTION	1
7	780008	CAP SCREW M5X12	2
8	750107INOX	SCREW TCEI M4X12 STEEL	3
9	120122	SUPPORT FOR SAIET AMPLIFIER FOR TP-CF	1
10	120141	AMPLIFIER SAIET F-D32KU/2QD/LD TO-CF	1
11	VITC0330	SCREW TCEI M3X30	2
12	120094	RIGHT SIDE PLATE TO-CF	1
13	120050	ALUMINIUM HANDLE OVAL SECTION	1
14	780008	CAP SCREW M5X12	2
15	750107INOX	SCREW TCEI M4X12 STEEL	3
16	120129	PASSING CONNECTOR 1/8 WITH FEMALE COUPLIG KQ2E06-01	3
17	950608	SILENCER 2931 1/8	3
18	120167	HEXAGON NUT M14	4
19	120129	PASSING CONNECTOR 1/8 WITH FEMALE COUPLIG KQ2E06-01	1
19a	150513	PLASTIC ELBOW CONNECTOR KQL-06-01S 90° 1/8 FOR AIR BOX	1
20	150502	AIR REGULATOR EAR2000	1
20a	150504	BRACKET B 220 FOR REGULATOR EAR 2000	1
20b	150503	PRESSURE GAUGE 0.10 MM FOR AIR REGULATOR	1
20c	900007	45 DEGR.CONNECTION KQK06-02S 1/4 FOR CYLINDER	2
21	850304INOX	SCREW TCEI M5X10 INOX	2
22	150502	AIR REGULATOR EAR2000	1
22a	150504	BRACKET B 220 FOR REGULATOR EAR 2000	1
22b	120149	PRESSURE GAUGE 0/4 BAR Ø40 1/8 FMT00B120	1
22c	900007	45 DEGR.CONNECTION KQK06-02S 1/4 FOR CYLINDER	2
23	850304INOX	SCREW TCEI M5X10 INOX	2
24	150505	PLASTIC DOUBLE AIR CONNECTOR KQU-06-00	4

25	930071	CAP SCREW M4X30	2
25a	950308INOX	FLAT WASHER FOR D. 4 INOX	1
26	5350180	TRANSFORMER 0-115-23/20 VAC 20VA	1
27	120136	BRACKET FOR TRANSFORMER	1
28	400117INOX	SCREW TCEI M4X10 INOX	2
29	500023	CAPSCREW M4X8	2
30	750108	NUT M4	2
31	120102	VALVE SUPPORT TO-CF	1
32	750107INOX	SCREW TCEI M4X12 STEEL	2
33	120148	SOLENOID VALVE REMOTE DRIVING SY5120-5Y0-01F-X20-Q	1
33a	120103	SUPPORT FOR VALVE SY5120 COD: SX5000-16-1A	1
33b	590006	CAPSCREW M3X6 UNBRAKO	2
33c	150513	PLASTIC ELBOW CONNECTOR KQL-06-01S 90° 1/8 FOR AIR BOX	3
33d	900017	CONNECTOR M5 TUBE 6-4 FOR SAFETY VALVE	1
33e	160204	STRAIGHT FITTING KQH-04-01S	2
34	120098	GENERAL ELECTROVALVE SMC TO/CF COD EVP342-5Y002FA	1
34a	150501	PLASTIC ELBOW CONNECTOR KQL-06-01S 90° 1/4	2
34b	120147	ROTARY TRIPLE ELOBOW CONNECTOR KQ2VT06-0	1
34c	120133	CONNECTOR EVPV-342 GENERAL COD:2009636	1
35	VITC0330	SCREW TCEI M3X30	2
36	120150	MULTIPLE BASE FOR ELECTROVALVE SS5Y5-20-	1
36a	120153	STOPPER 1/4 2TB	3
36b	150514	PLASTIC CONNECTOR KQH-06-02S 1/4	3
36c	120151	CLOGGING PLATE SY5000-26-1A	1
37	150508	SCREW TCEI M 4X35	3
38	120154	ELECTROVALVE SY5120-5Y0-01F-Q	3
38a	150513	PLASTIC ELBOW CONNECTOR KQL-06-01S 90° 1/8 FOR AIR BOX	2
38b	950605	PLASTIC ELBOW CONNECTOR KQL-04-01S 90° 1/8	4
39	120096	UPPER PLATE TO-CF	1
39a	740153	TUBULAR RIVET M5	2
40	750107INOX	SCREW TCEI M4X12 STEEL	11
41	120161	INSIDE SAFETY COVER TO-CF	1
41a	120169	INNER CASE SUPPORTING BRACKET	2
41b	600050INOX	SCREW TBEI M4X6 STEEL	6
42	120176	ELECTRIC PANEL SUPPORT FOR TO-CF	1
42a	400211	ENSAT BUSHING M5/M8X10	4
42b	120171	OPTICAL FIBRE HOLDER	1
42c	750302INOX	SCREW TBEI M5X12 STEEL	1
43	600027	SCREW TCEI M4X15	6
44	9915180	DRIVE PANEL	1
45	120128	RIGHT BRACKET FOR FEEDER PANEL LOCKING TO-CF	2
46	750302INOX	SCREW TBEI M5X12 STEEL	4

47	120121	BACK COVER TO-CF	1
48	500043INOX	SCREW TCEI M4X6	14
49	5466013	SOCKET	1
50	750503INOX	SCREW TBEI M3X6 STEEL	2
51	9994805	ELECTRIC CABLE	1
52	900023	RILSAN HOSE 4X2	
53	150510	RILSAN HOSE D. 6X4	

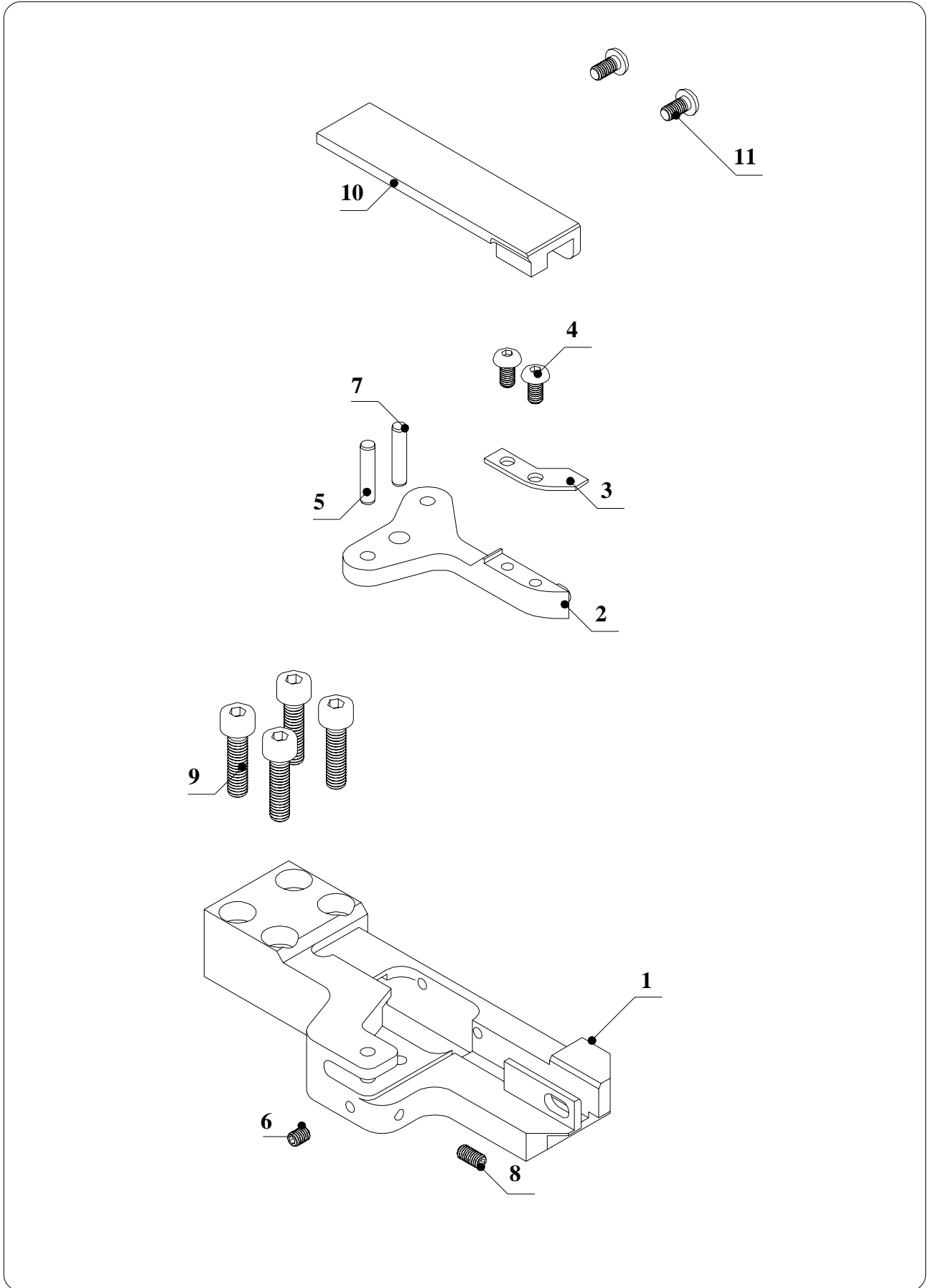
11.4 DETAILED DRAWING OF CLAMPING ASSEMBLY LOWER SIDE



**11.4.1 READING KEY FOR DETAILED DRAWING OF TP/TO-CF PREFORMING
MACHINE FOR TRANSISTOR IN TUBE (TO126-TO220-TO218)
220V CLAMPING ASSEMBLY (code 12.OL02) lower side**

Pos.	Code	Description	Q.ty
1	120155	TRASLATION SADDLE SUPPORT MXS TOCF	1
1a	850218	PARALLEL PIN Ø 5X20	2
1b		PARALLEL PIN Ø 5X20	2
1c	500040	CP SET SCREW M4X10	1
2	930074	SCREW TCEI M5X20	4
3	600029	CAPSCREW M6X12	3
4	120158	CYLINDER STROKE ADJUSTMENT PIN	1
5	120180	SCREW PP M 12x20	1
6	120152	TRASLATION UNIT TYPE MXS-16-50	1
6a	900013	AIR BLOW ADJUSTER EAS1200F-M5	2
6b	400429	PARALLEL PIN D. 5X9	2
6c	120104	MAGNETIC SENSOR FOR SADDLE Ø16 C.50 COD: DA-93L	2
7	120156	CYLINDER SUPPORT CDU10-5D ED	1
8	120178	SCREW TCEI M5x8 INOX	4
9	120114	CYLINDER CDU Ø10 SET 5mm STROKE	1
9a	120126	90° CONNECTION M5 HOSE Ø4 SMC KQ2L04-M5	2
10	750116	CAPSCREW M3X16	2
11	210409	GLYCODUR BUSHING Ø8 Ø10 h12	1
12	120116	CONNECTING SHAFT CDU10-5D CYLINDER TO JOINT	1
13		SCREW PCO M3X4	1
14	120080	ARTICULATED JOINT TO-CF	1
15	430077	PIN FOR INSERT	1
16	850419	RADIAL CLIP RS 1,9 DIN 6799 FOR SHAFT	1
17	120162	PIN PLIERS CLUTCH TO-CF	1
18	210124	SCREW PP M3X6 UNBRAKO	1
19	120172	PLATE 0-25mm	1
20	590006	CAPSCREW M3X6 UNBRAKO	2

11.5 DETAILED DRAWING OF CLAMPING ASSEMBLY



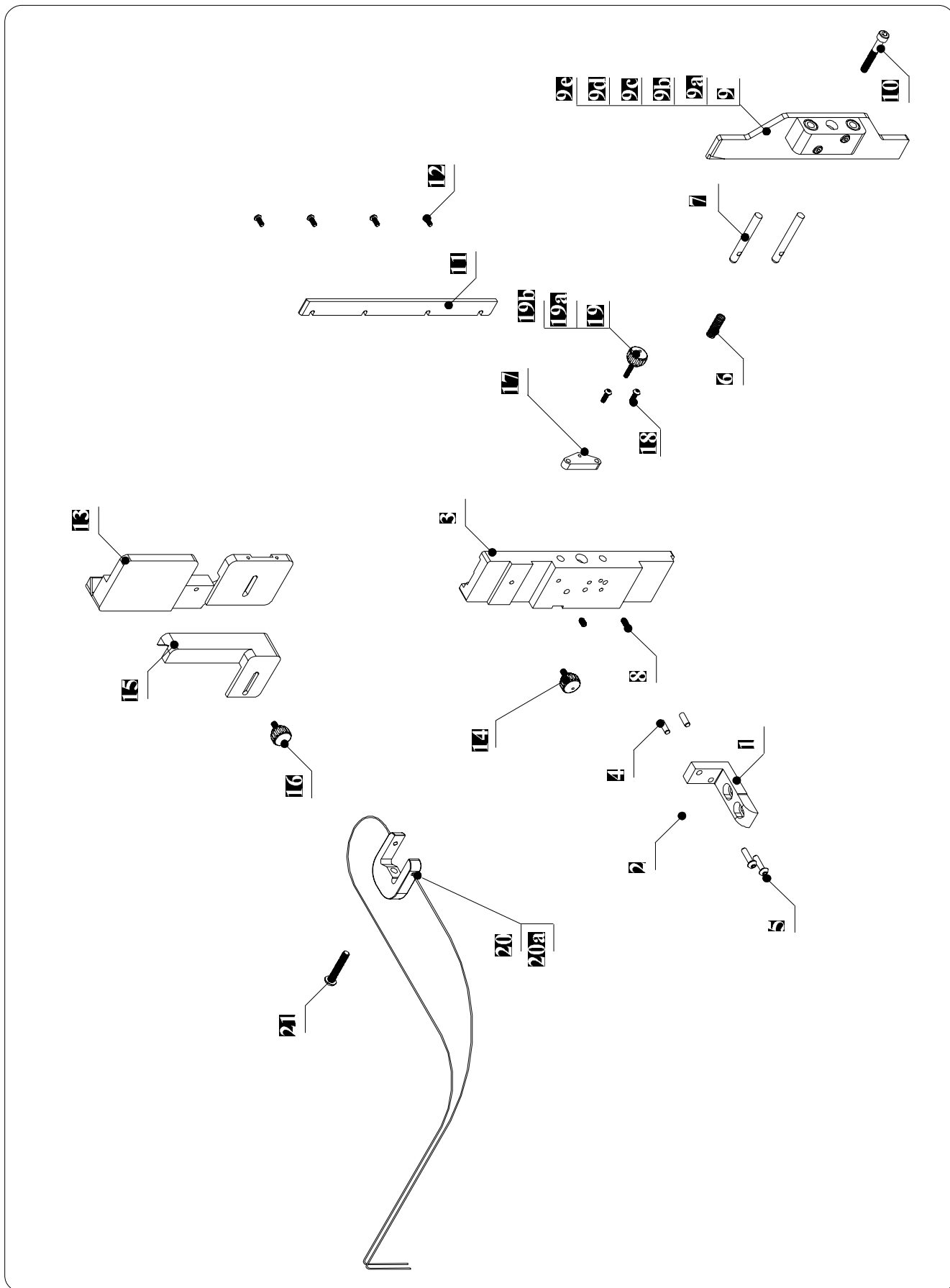
11.5.1 READING KEY FOR DETAILED DRAWING OF CLAMPING ASSEMBLY TO220 FOR TP/TO-CF CODE NR. 120400

Pos.	Code	Description	Q.ty
1	121101	SUPPORT FOR PLIERS AND TO-220 COMPONENT POSITIONING PLATE	1
2	121102	TO220 COMPONENTS CLAMPING TAB	1
3	121104	SMALL BRACKET FOR TO220 COMPONENT LOCKING TO-CF	1
4	750503	SCREW TBEI M3X6	2
5	120179	PARALLEL PIN D. 3x14	1
6	210124	SCREW PP M3X6 UNBRAKO	1
7	850418	PARALLEL PIN D.3X12	1
8	210124	SCREW PP M3X6 UNBRAKO	1
9	600027	SCREW TCEI M4X15	4
10	121103	ADJUSTABLE PLATE FOR TO220 COMPONENT POSITIONING	1
11	590006	CAPSCREW M3X6 UNBRAKO	2

CLAMPING ASSEMBLY TO126 FOR TP/TO-CF CODE NR. 120300

Pos.	Code	Description	Q.ty
1	120301	CLAMPING HOLDER + SMALL PLATE FOR TO126 COMPONENTS POSITIONNING	1
2	120302	FLAP FOR PLIER	1
10	120303	ADJUSTING PLATE FOR POSITIONNING OF TO126 COMPONENTS	1

11.6 DETAILED DRAWING OF TUBE HOLDER AND STAND-BY RESERVE



11.6.1 DETAILED DRAWING LEGEND OF TUBE HOLDER AND STAND-BY RESERVE TO220 (code 120450)

Pos.	Code	Description	Q.ty
1	120264	STEEL STAND-BY RESERVE HOLDER	1
2	780008INOX	SCREW TCEI M5X12 STEEL	2
3	120263	STEEL STAND-BY RESERVE GUIDE TO220 COMPONENTS	1
3a	510049	SCREW PCO M 4 X 8	2
4	21.0120	PARALLEL PIN D. 4x12 h7	2
5	600027	SCREW TCEI M4X15	2
6	760171	COMPRESSION SPRING 0,8X6,3H=33 TC5	1
7	120257	PARALLEL PIN FOR COMPONENT BODY ADJUST.	2
8	510049	SCREW PCO M 4 X 8	2
9	120260	COMPONENT BODY ADJUSTER ON STAND-BY RESERVE	1
9a	120262	HANGER FOR COMP. BODY ADJUSTER ON STAND-BY RESERVE TO220	1
9b	120261	HANGER SUPPORT FOR COMPONENT BODY ADJUSTER	1
9c	120256	BEARING	2
9d		SPINA CIL. D. 4x14	2
9e	VITC0420	SCREW TCEI M4X20	2
10	850204	CAP SCREW M5X35	1
11	120252	COMPONENT CHECK BOARD	1
12	420071	BH SCREW M3X8 UNBRAKO	4
13	120044	LOWER TUBE GUIDE TO-CF	1
14	500032	KNOB M4X8 (COD. SP02100-EB877)	1
15	120045	GUIDA STECCA SUPERIORE TO-CF	1
16	500032	POMELLO M4X8 (COD. SP02100-EB877) B.193/15p-M4X8 B.193/15p-M4X8	1
17	120123	PLATE FOR TUBE ADJUSTMENT	1
18	VITC0310	SCREW TCEI M3X10 UNBRAKO	2
19	780517	KNOB FC-M3	1
19a		SCREW PP M 3X25	1
19b	950704INOX	NUT M3 INOX	1
20	120254	SUPPORT FOR SENSORS TO-CF	1
20a	120142	OMRON PHOTOELECTRIC SWITCH FIBRE UNIT E32-TC200	1
21	950306	KNOB M5X25	1

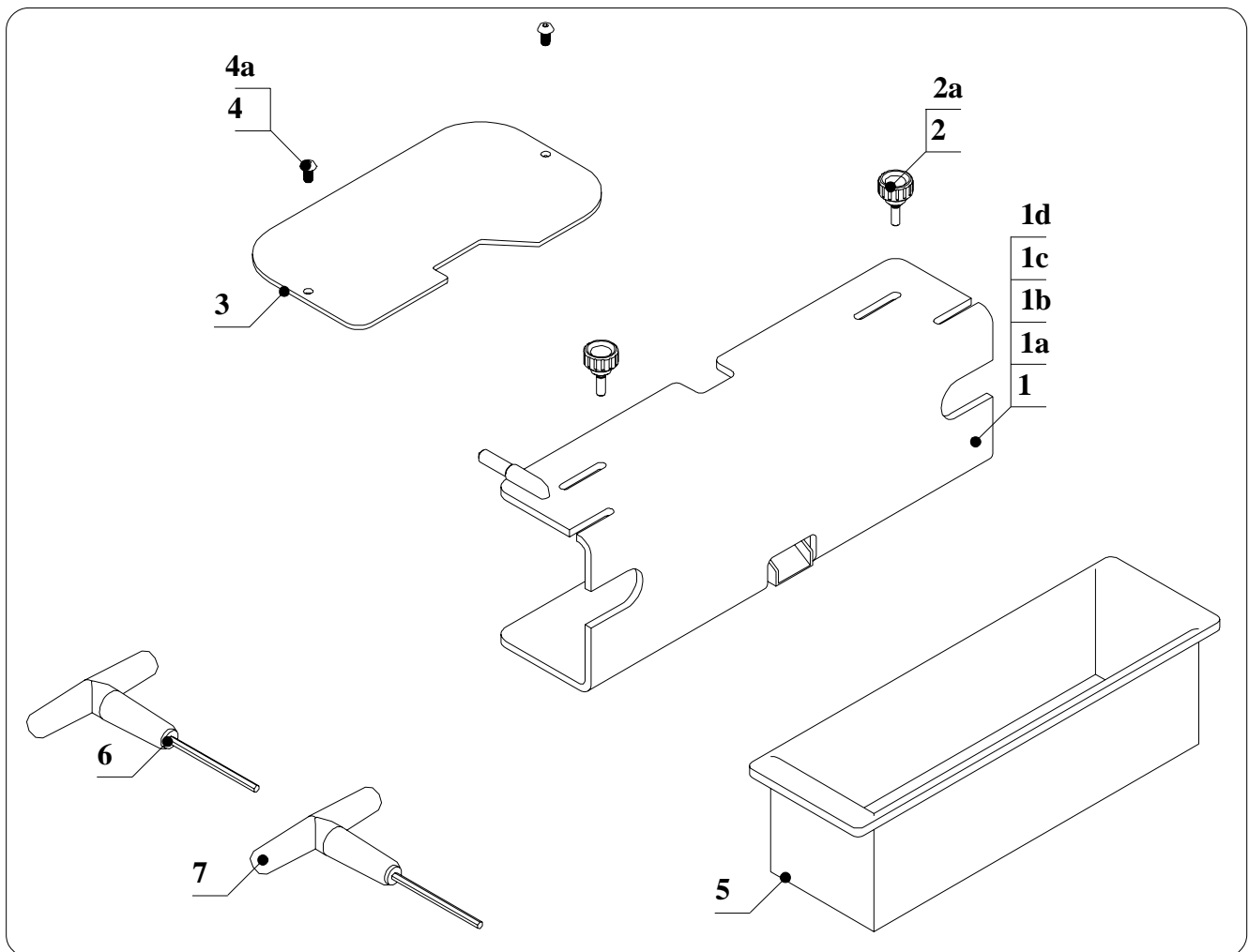
TUBE HOLDER AND STAND-BY RESERVE TO126 CODE 120350

Pos.	Code	Description	Q.ty
3	120353	STEEL STAND-BY RESERVE GUIDE TO126 COMPONENTS	1
9	120354	COMPONENT BODY ADJUSTER ON STAND-BY RESERVE	1
9a	120356	HANGER FOR COMP. BODY ADJUSTER ON STAND-BY RESERVE TO126	1
9b	120355	HANGER SUPPORT FOR COMPONENT BODY ADJUSTER	1

TUBE HOLDER AND STAND-BY RESERVE TO218 CODE 120550

Pos.	Code	Description	Q.ty
3	120555	STEEL STAND-BY RESERVE GUIDE TO218 COMPONENTS	1
11	120554	COMPONENT CHECK BOARD	1
20	120254	SUPPORT FOR SENSORS TO218	1

11.7 DETAILED DRAWING PROTECTIONS AND TOOLS



11.7.1 DETAILED DRAWING LEGEND OF PROTECTIONS AND TOOLS

Pos.	Code	Description	Q.ty
1	120125	FRONT PROTECTION COVER TO-CF	1
1a	120170	PIN FOR MICRO SWITCH	1
1b	VITS0408	SCREW TSEI M4X8	1
1c	550012	BH SCREW M5X15	1
1d	740137INOX	WASHER Ø 5 /OUT 15 BLACK STEEL	1
2a	400210	KNOB M5X16	2
2b	740137INOX	WASHER Ø 5 /OUT 15 BLACK STEEL	2
3	120124	UPPER PROTECTION COVER TO-CF	1
4a	750302INOX	SCREW TBEI M5X12 STEEL	2
4b	740137INOX	WASHER Ø 5 /OUT 15 BLACK STEEL	2
5	7804.676	PART BIN 3010 TO-CF	1
6	400804	ALLEN KEY mm. 3	1
7	120049	ALLEN KEY mm 4	1