

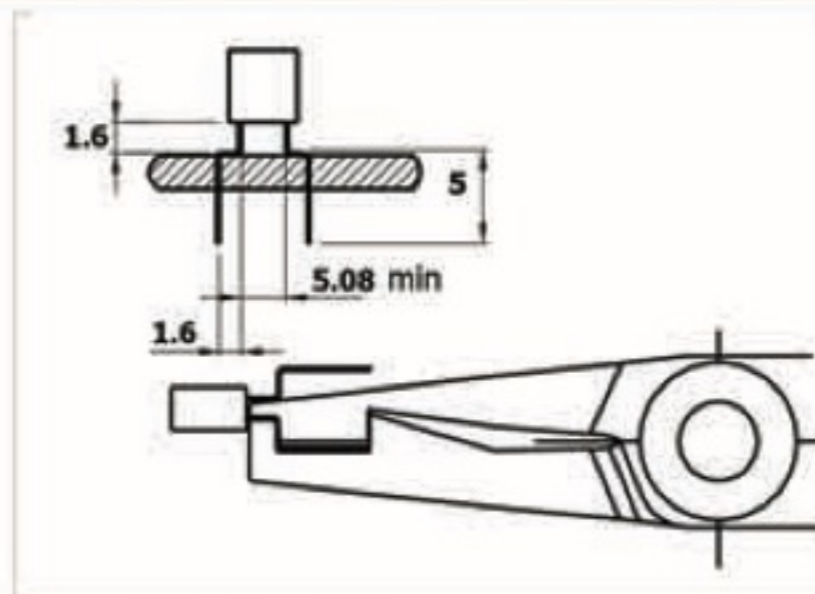


# Special tools "L" shape forming pliers

**PTR 30 LD**



**PTR 30 LD:** Tool that forms the component wire in a L shape and cuts off the residual part.  
Steel thickness 3.0mm. Tool length 150 mm.  
ESD-safe handles



**Order code**

**PTR 30 LD**

**Length (mm)**

**150**

**Cutting force (kg)**

**3**

**Copper wire (Ø mm)**

**1.02**

**Copper wire (awg)**

**18**