

Spare Parts List



PCB Separator

MAESTRO 3E

Spare Parts List for the following products

Description	Type
PCB Separator	MAESTRO 3E

Edition: 9/2008 - Part No. 9008103

Copyright

This documentation as well as translation hereof are property of cab Produkttechnik GmbH & Co. KG.

The replication, conversion, duplication or divulgement of the whole manual or parts of it for other intentions than its original intended purpose - in particular the procurement of spare parts for products sold by cab – demand the previous written authorisation by cab.

Editor

Regarding questions or comments please contact cab Produkttechnik GmbH & Co. KG.

Topicality

Due to the constant further development of our products discrepancies between documentation and product can occur.

Please check www.cabgmbh.com for the latest update.

Terms and conditions

Deliveries and performances are effected under the "General conditions of sale of cab"

Germany

cab Produkttechnik
GmbH & Co KG
Postfach 1904
D-76007 Karlsruhe
Wilhelm-Schickard-Str. 14
D-76131 Karlsruhe
Telefon +49 721 6626-0
Telefax +49 721 6626-249
www.cab.de
info@cab.de

France

cab technologies s.a.r.l.
Z.A. Nord du Val de Moder
F-67350 Niedermodern
Téléphone +33 388 722 501
www.cab-technologies.fr
info@cab-technologies.fr

Spain

cab España S.L.
Josep Pla 9, 6º, 2a
E-08304 Mataró (Barcelona)
Teléfono +34 937 414 605
Teléfax +34 937 414 731
www.cab.de
info@cabsl.com

USA

cab Technology Inc.
90 Progress Avenue Unit #2
Tyngsboro MA, 01879
Phone +1 978 649 0293
www.cabtechn.com
info@cabtechn.com

South Afrika

cab Technology (Pty.) Ltd.
14, Republic Road
2125 Randburg
Phone +27 11-886-3580
Fax +27 11-789-3913
www.cab.de
info@cabtech.co.za

Asien 亞洲分公司

希愛比科技股份有限公司

cab Technology Co, Ltd.

台灣台北縣板橋市

民生路一段33號十九樓之一

19F-1, No. 33, Sec. 1,

Min Sheng Road

Panchiao 220,

Taipei, Taiwan, R.O.C.




電話 Phone +886 2 2950 9185

網址 www.cabasia.net





詢問 cabasia@cabgmbh.com

Other subsidiaries on request


	8931118.001
---	-------------






	5905183.001
	5903028.001
	5902178.001



	8931154.001
--	-------------


	5903025.001
	8936645.001
	Part only for machines from serial number 2000 ! For machines up to serial number 1999 please order the assembly part no. 8930908.001 !
	8930908.001
	5903023.001
	5902169.001
	8931617.001





	8930635.001
---	-------------


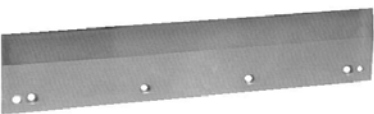



	8936614.001 ²⁾
	8936615.001 ²⁾
	5903010.001 ²⁾
	8936643.001 ²⁾
	8930590.001 ²⁾




	8930602.001 ¹⁾
	8930603.001 ¹⁾
	5903047.001 ¹⁾
	5902048.001 ¹⁾
	5903003.001 ¹⁾
¹⁾ up to serial no. 1999 ²⁾ from serial no. 2000	

	5903082.001
	5902273.001




	8931623.001
--	-------------




	8931612.001
	5903026.001
	8930509.001
	8931626.001

	8930605.001
	8933394.001
	5903010.001
	5902169.001
	5902122.001

	8930949.001
	5903028.001
	5902169.001

  	8931120.001
 	8931130.001

	8931166.001
	5903037.001
	5902096.001

	8931165.001
	5903037.001
	5902096.001

	5909002.001
--	-------------

Spare Parts Register

Pos.	Figure/Page		Part No.	Description	PU	SPR				Serial No.		
										from	to	
1	3		5902048.001	Screw DIN912-M4x8	10							
2		4	5902122.001	Screw DIN923-M6x6	10							
3	3	4	5902169.001	Screw DIN912-M6x14	10							
4	3		5902178.001	Screw DIN912-M6x20	10							
5	3		5902273.001	Screw DIN7985-M5x30	10							
6	3		5903003.001	Washer DIN125-A4.3	10							
7	3	4	5903010.001	Spring Washer DIN137-A6	10							
8	3		5903023.001	Lock Washer DIN127-B6	10							
9	3		5903025.001	Washer DIN988-6x12x0.2	10							
10		4	5903026.001	Washer DIN988-15x21x0.1	10							
11	3	4	5903028.001	Washer DIN433-6.4	10							
12	3		5903047.001	Washer DIN988-4x8x0.1	10							
13	3		5903082.001	Washer 5.3x11.5x1.4	10							
14	3		5905183.001	Guide L=640	1							
15		4	8930509.001	Circular (Upper) Blade	1	A	B	C	D			
16	3		8930590.001	Screw	1							
17	3		8930602.001	Shield 1	1	A	B	C	D		1999	
18	3		8930603.001	Shield 2	1	A	B	C	D		1999	
19		4	8930605.001	Eccentric Axle	1							
20	3		8930635.001	Handle cpl.	1							
21	3		8930908.001	Sliding Carriage mount.	1							
22		4	8930949.001	Blade Shield	1				D			
23	3		8931118.001	Frame cpl.	1							
24	3		8931154.001	Cover	1							
25		4	8931612.001	Washer	1							
26	3		8931617.001	Scale	1							
27	3		8931623.001	Adjusting Mechanism	1				D			
28		4	8931626.001	Knurled Nut cpl.	1				D			
29		4	8933394.001	Linear Blade	1	A	B	C	D			
30	3		8936614.001	Shield 1	1	A	B	C	D	2000		
31	3		8936615.001	Shield 2	1	A	B	C	D	2000		
32	3		8936643.001	Eccentric Axle	1					2000		
33	3		8936645.001	Sliding Carriage cpl.	1					2000		

Technical Documents

34			8930692.001	Operator's Manual MAESTRO 3E G/E/F	1							
----	--	--	-------------	------------------------------------	---	--	--	--	--	--	--	--

Packaging/Accessories

35		4	5902096.001	Screw DIN7985-M5x12	10							
36		4	5903037.001	Washer DIN9021-5.3	10							
37			5909002.001	Key DIN911-2	1							
38		4	8931120.001	Adjustable Platform	1							
39		4	8931130.001	Filing Table	1							
40		4	8931165.001	Filing Table	1							
41		4	8931166.001	Adjustable Platform	1							
42			8931209.001	Packaging	1							
43			8970208.001	Dial Gauge	1							

PU Package unit

SPR Recommendation

A - wearing parts and accessories

B - recommended spare parts for quick repair

C - recommended spare parts for distributors

D - recommended spare parts for central stores

This page is intentionally left blank.