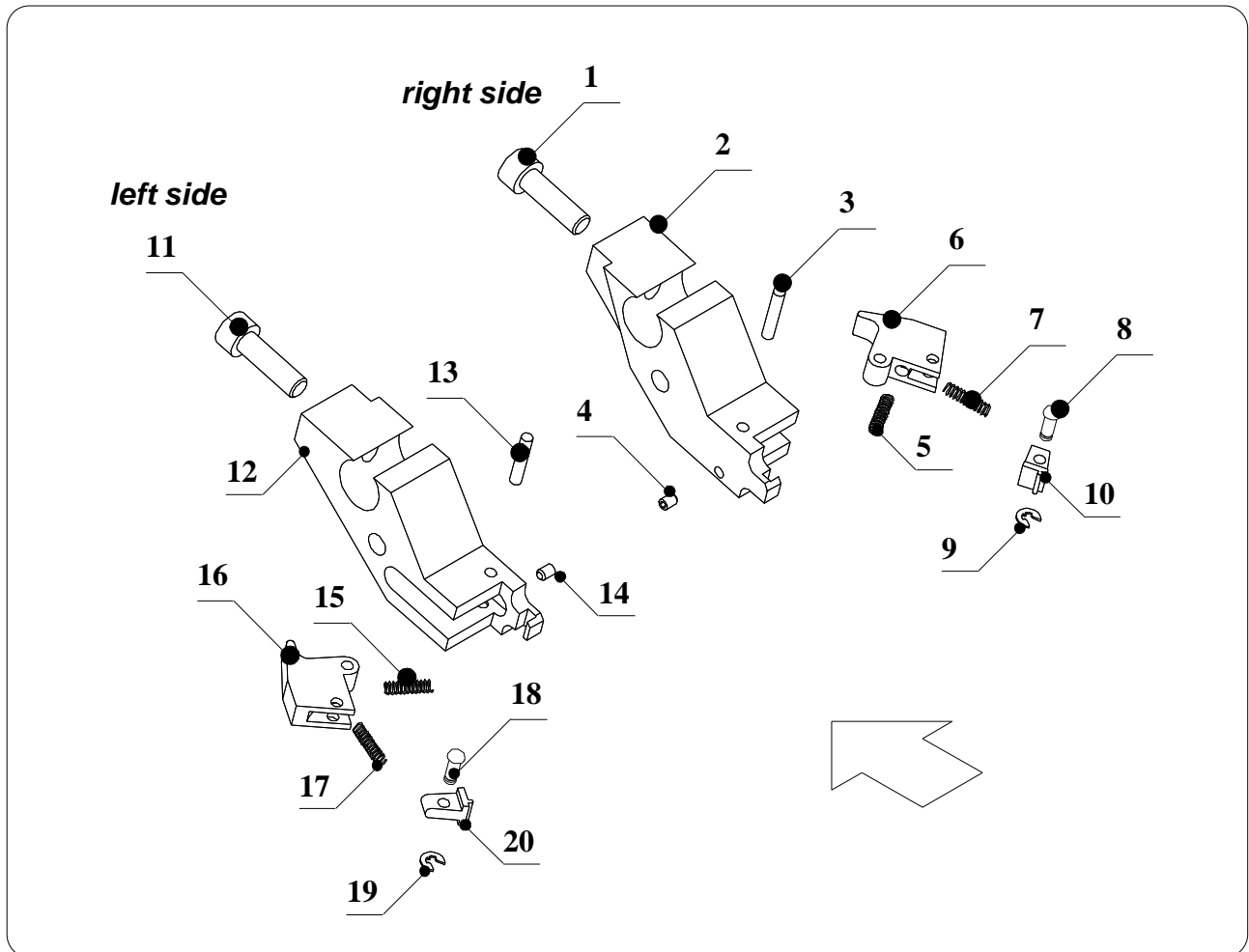


11.4 DETAILED DRAWING OF PREFORMING DIE



11.3.1 READING KEY FOR DETAILED DRAWING OF PREFORMING DIES

Cod. 420750 DIE ASSEMBLY STAND OFF 3 mm - LEAD \varnothing 0,5-1mm FOR 43.OL01 AND 43.OL02

1	430114	LOCKING SCREW FOR PREF.DIE M6X19,5	1
2	420752	RIGHT PREFORMING DIE STAND OFF 3mm LEAD 0,5-1	1
3	850417	PARALLEL PIN D.3X16	1
4	850415	SCREW PP M3X4	1
5	850413	SPRING D.3X13 FOR PREF.INSERT	1
6	420055	OUTER DIE HOLDER	1
7	850413	SPRING D.3X13 FOR PREF.INSERT	1
8	430077	PIN FOR INSERT	1
9	850419	CLIP RS 1,9 DIN 6799	1
10	420753	INSERT FOR STAND OFF DIE	1
11	430114	LOCKING SCREW FOR PREF.DIE M6X19,5	1
12	420751	LEFT PREFORMING DIE STAND OFF 3mm LEAD 0,5-1	1
13	850417	PARALLEL PIN D.3X16	1
14	850415	SCREW PP M3X4	1
15	850413	SPRING D.3X13 FOR PREF.INSERT	1
16	420055	OUTER DIE HOLDER	1
17	850413	SPRING D.3X13 FOR PREF.INSERT	1
18	430077	PIN FOR INSERT	1
19	850419	CLIP RS 1,9 DIN 6799	1
20	420753	INSERT FOR STAND OFF DIE	1

Cod. 420800 DIE ASSEMBLY STAND OFF 2,5mm - LEAD \varnothing 0,5-0,9mm FOR TP6/PR-F 43.OL01

1	430114	LOCKING SCREW FOR PREF.DIE M6X19,5	1
2	420051	RIGHT PREFORMING DIE STAND OFF 2,5mm LEAD 0,5-0,9	1
3	850417	PARALLEL PIN D.3X16	1
4	850415	SCREW PP M3X4	1
5	850413	SPRING D.3X13 FOR PREF.INSERT	1
6	420055	OUTER DIE HOLDER	1
7	850413	SPRING D.3X13 FOR PREF.INSERT	1
8	430077	PIN FOR INSERT	1
9	850419	CLIP RS 1,9 DIN 6799	1
10	420053	INSERT STAND OFF 2,5mm FOR LEADS 0,5-0,9	1
11	430114	LOCKING SCREW FOR PREF.DIE M6X19,5	1
12	420052	LEFT PREFORMING DIE STAND OFF 2,5mm LEADS 0,5-0,9	1
13	850417	PARALLEL PIN D.3X16	1
14	850415	SCREW PP M3X4	1
15	850413	SPRING D.3X13 FOR PREF.INSERT	1
16	420055	OUTER DIE HOLDER	1
17	850413	SPRING D.3X13 FOR PREF.INSERT	1
18	430077	PIN FOR INSERT	1
19	850419	CLIP RS 1,9 DIN 6799	1
20	420053	INSERT STAND OFF 2,5mm FOR LEADS 0,5-0,9	1

Cod. 420850 DIE ASSEMBLY SMALL STAND OFF-LOCK IN LEADS 0,5-0,8 FOR PR-F 43.OL01

1	430114	LOCKING SCREW FOR PREF.DIE M6X19,5	1
2	420059	RIGHT PREFORMING DIE SMALL LOCK IN LEADS 0,5-0,8	1
3	850417	PARALLEL PIN D.3X16	1
4	850415	SCREW PP M3X4	1
5	850413	SPRING D.3X13 FOR PREF.INSERT	1
6	420055	OUTER DIE HOLDER	1
7	850413	SPRING D.3X13 FOR PREF.INSERT	1

8	430077	PIN FOR INSERT	1
9	850419	CLIP RS 1,9 DIN 6799	1
10	420063	INSERT FOR DIE SMALL LOCK IN FORM LEADS 0,5-0,8	1
11	430114	LOCKING SCREW FOR PREF.DIE M6X19,5	1
12	420061	LEFT PREFORMING DIE SMALL LOCK IN FORM LEADS 0,5-0,8	1
13	850417	PARALLEL PIN D.3X16	1
14	850415	SCREW PP M3X4	1
15	850413	SPRING D.3X13 FOR PREF.INSERT	1
16	420055	OUTER DIE HOLDER	1
17	850413	SPRING D.3X13 FOR PREF.INSERT	1
18	430077	PIN FOR INSERT	1
19	850419	CLIP RS 1,9 DIN 6799	1
20	420063	INSERT FOR DIE SMALL LOCK IN FORM LEADS 0,5-0,8	1

Cod. 420900 DIE ASSEMBLY REDUCED PITCH - LEADS 0,5-1 FOR PR-F 43.OL01 AND 43.OL02

1	430114	LOCKING SCREW FOR PREF.DIE M6X19,5	1
2	420901	RIGHT PREFORMING DIE STAND OFF FORM LEADS 0,5-1	1
3	850417	PARALLEL PIN D.3X16	1
4	850415	SCREW PP M3X4	1
5	850413	SPRING D.3X13 FOR PREF.INSERT	1
6	420055	OUTER DIE HOLDER	1
7	850413	SPRING D.3X13 FOR PREF.INSERT	1
8	430077	PIN FOR INSERT	1
9	850419	CLIP RS 1,9 DIN 6799	1
10	420903	INSERT FOR STAND OFF FORM LEADS 0,5-1	1
11	430114	LOCKING SCREW FOR PREF.DIE M6X19,5	1
12	420902	LEFT PREFORMING DIE STAND OFF FORM LEADS 0,5-1	1
13	850417	PARALLEL PIN D.3X16	1
14	850415	SCREW PP M3X4	1
15	850413	SPRING D.3X13 FOR PREF.INSERT	1
16	420055	OUTER DIE HOLDER	1
17	850413	SPRING D.3X13 FOR PREF.INSERT	1
18	430077	PIN FOR INSERT	1
19	850419	CLIP RS 1,9 DIN 6799	1
20	420903	INSERT FOR STAND OFF FORM LEADS 0,5-1	1

Cod. 420950 DIE ASSEMBLY BIG STAND OFF-LOCK IN - LEADS 0,6-1 FOR PR-F 43.OL01 AND 43.OL02

1	430114	LOCKING SCREW FOR PREF.DIE M6X19,5	1
2	420951	RIGHT PREFORMING DIE BIG STAND OFF LOCK IN LEADS 0,6-1	1
3	850417	PARALLEL PIN D.3X16	1
4	850415	SCREW PP M3X4	1
5	850413	SPRING D.3X13 FOR PREF.INSERT	1
6	420055	OUTER DIE HOLDER	1
7	850413	SPRING D.3X13 FOR PREF.INSERT	1
8	430077	PIN FOR INSERT	1
9	850419	CLIP RS 1,9 DIN 6799	1
10	420953	INSERT FOR OUTER DIE LOCK IN	1
11	430114	LOCKING SCREW FOR PREF.DIE M6X19,5	1
12	420952	LEFT PREFORMING DIE BIG STAND OFF LOCK IN LEADS 0,6-1	1
13	850417	PARALLEL PIN D.3X16	1
14	850415	SCREW PP M3X4	1
15	850413	SPRING D.3X13 FOR PREF.INSERT	1
16	420055	OUTER DIE HOLDER	1
17	850413	SPRING D.3X13 FOR PREF.INSERT	1

18	430077	PIN FOR INSERT	1
19	850419	CLIP RS 1,9 DIN 6799	1
20	420953	INSERT FOR DIE BIG STAND OFF-LOCK IN LEADS 0,6-1	1

Cod. 421000 DIE ASSEMBLY BODY LOCKED ON PCB - LEADS 0,5-0,8 FOR PR-F 43.OL01

1	430114	LOCKING SCREW FOR PREF.DIE M6X19,5	1
2	421001	RIGHT PREFORMING DIE BODY LOCKED LEADS 0,5-0,8	1
3	850417	PARALLEL PIN D.3X16	1
4	850415	SCREW PP M3X4	1
5	850413	SPRING D.3X13 FOR PREF.INSERT	1
6	420055	OUTER DIE HOLDER OUTER DIE HOLDER	1
7	850413	SPRING D.3X13 FOR PREF.INSERT	1
8	430077	PIN FOR INSERT	1
9	850419	CLIP RS 1,9 DIN 6799	1
10	421003	INSERT FOR DIE "BODY LOCKED ON P.C.BOARD" LEADS 0,5-0,8	1
11	430114	LOCKING SCREW FOR PREF.DIE M6X19,5	1
12	421002	LEFT PREFORMING DIE BODY LOCKED	1
13	850417	PARALLEL PIN D.3X16	1
14	850415	SCREW PP M3X4	1
15	850413	SPRING D.3X13 FOR PREF.INSERT	1
16	420055	OUTER DIE HOLDER OUTER DIE HOLDER	1
17	850413	SPRING D.3X13 FOR PREF.INSERT	1
18	430077	PIN FOR INSERT	1
19	850419	CLIP RS 1,9 DIN 6799	1
20	421003	INSERT FOR DIE "BODY LOCKED ON P.C.BOARD" LEADS 0,5-0,8	1
(49)	430026	RIGHT COMPONENT HOLDER	1
(50)	430027	LEFT COMPONENT HOLDER	1